

Product information HA-80/60-R Sliding Point

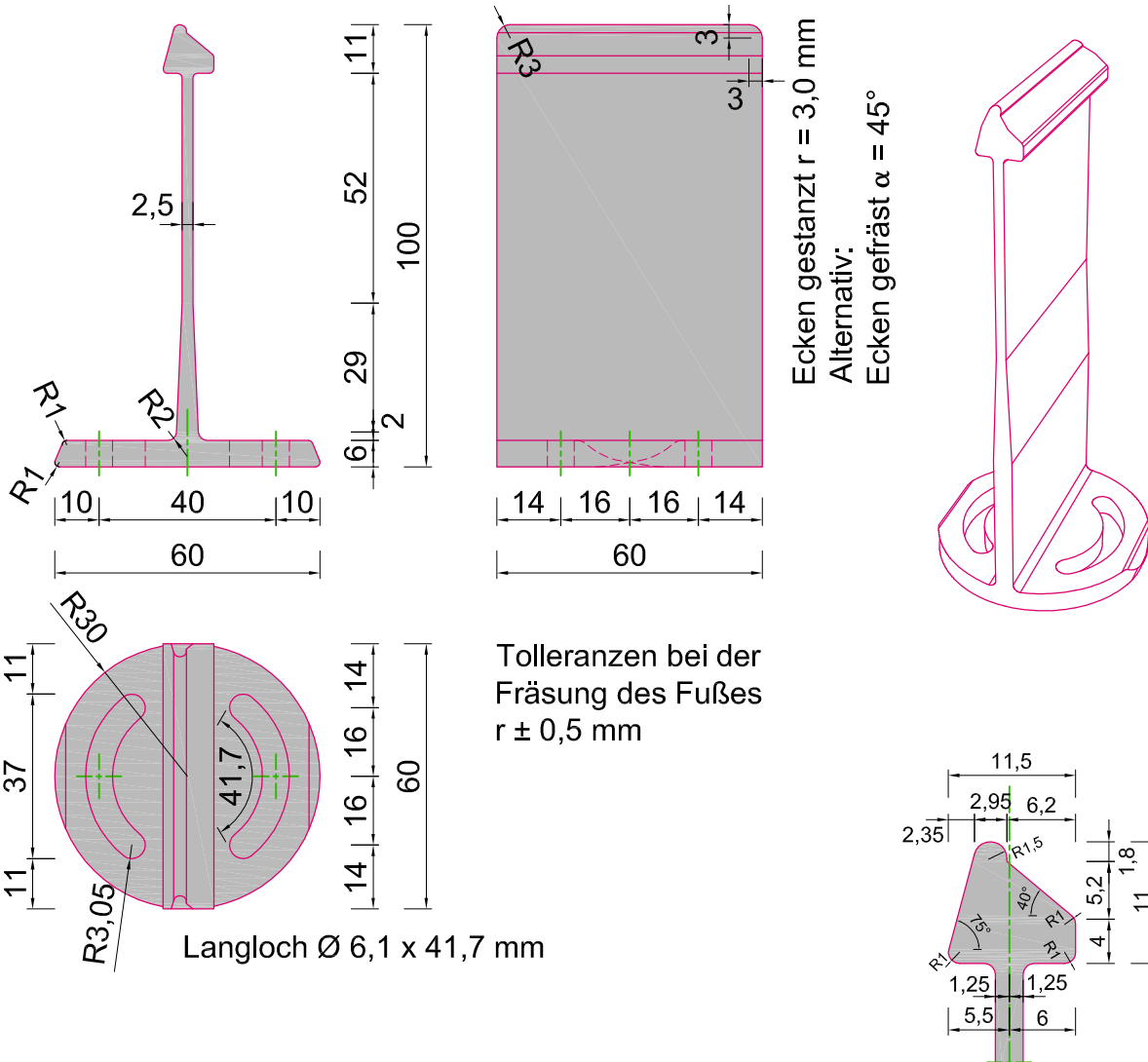
Halter Height	80 mm
Halter Lenght	60 mm
Materials	Aluminium
Material thickness	2,5 – 6,0 mm
Material Characteristic	ENAW 6060 T66
Coatings	No Coating
Surface	Natural

Title
BEMO Rotation Halter
 Aluminium

This drawing is exclusively our property. It may not be copied or given to third parties without our prior consent. All rights, including rights created by patent grant or registration of a utility model or design, are reserved.

Type
HA-80/60-R

Data Sheet Number
3531



Product information HA-100/60-R Sliding Point

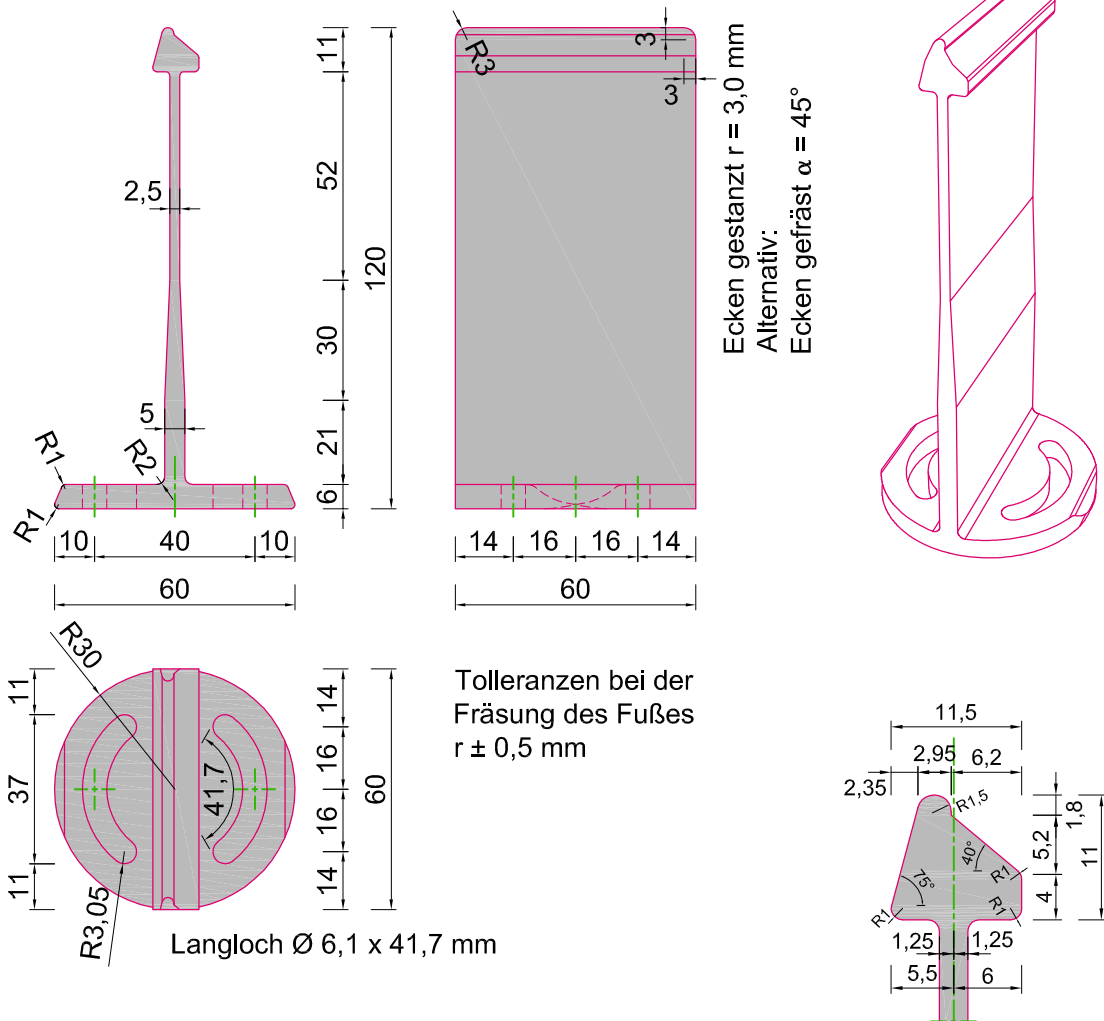
Halter Height	100 mm
Halter Length	60 mm
Materials	Aluminium
Material thickness	2,5 – 6,0 mm
Material Characteristic	ENAW 6060 T66
Coatings	No Coating
Surface	Natural

Title
BEMO Rotation Halter
 Aluminium

This drawing is exclusively our property. It may not be copied or given to third parties without our prior consent. All rights, including rights created by patent grant or registration of a utility model or design, are reserved.

Type
HA-100/60-R

Data Sheet Number
3532



Product information HA-120/60-R Sliding Point

Halter Height	120 mm
Halter Length	60 mm
Materials	Aluminium
Material thickness	2,5 – 6,0 mm
Material Characteristic	ENAW 6060 T66
Coatings	No Coating
Surface	Natural

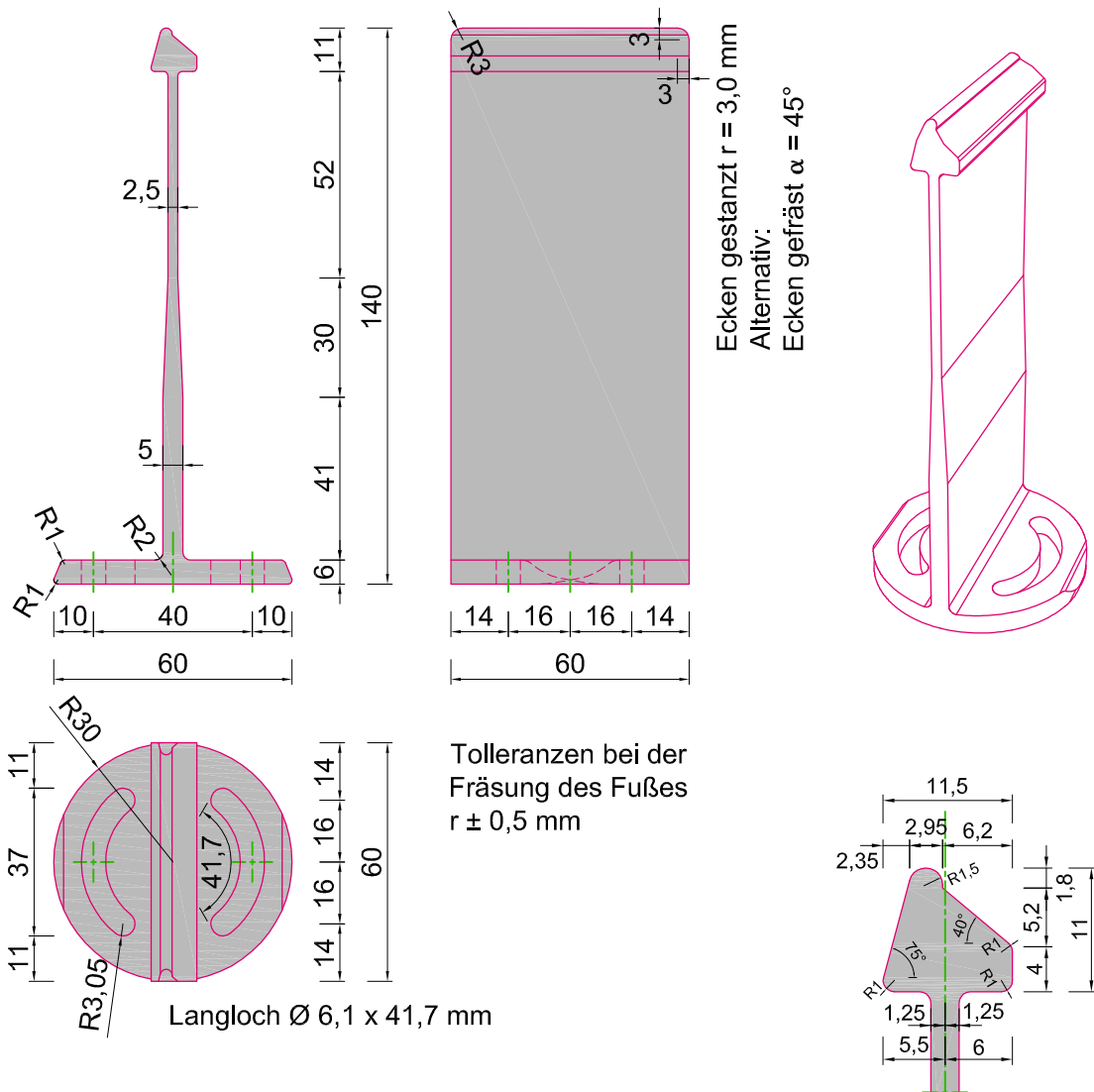
1/2019

Title
BEMO Rotation Halter
 Aluminium

This drawing is exclusively our property. It may not be copied or given to third parties without our prior consent. All rights, including rights created by patent grant or registration of a utility model or design, are reserved.

Type
HA-120/60-R

Data Sheet Number
3533



Product information HA-140/60-R Sliding Point

Halter Height	140 mm
Halter Length	60 mm
Materials	Aluminium
Material thickness	2,5 – 6,0 mm
Material Characteristic	ENAW 6060 T66
Coatings	No Coating
Surface	Natural

1/2019

Title

BEMO Rotation Halter
 Aluminium

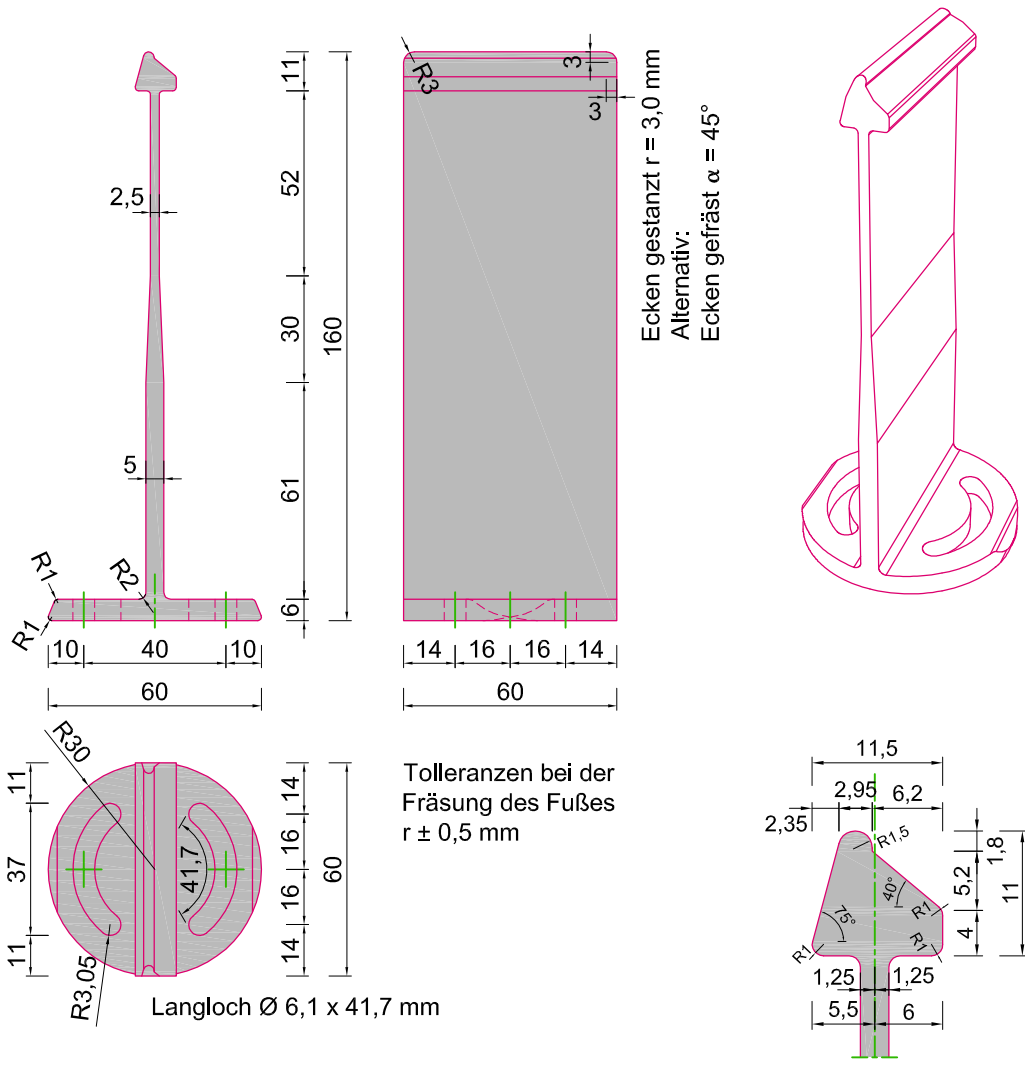
This drawing is exclusively our property. It may not be copied or given to third parties without our prior consent. All rights, including rights created by patent grant or registration of a utility model or design, are reserved.

Type

HA-140/60-R

Data Sheet Number

3534



Product information HA-160/60-R Sliding Point

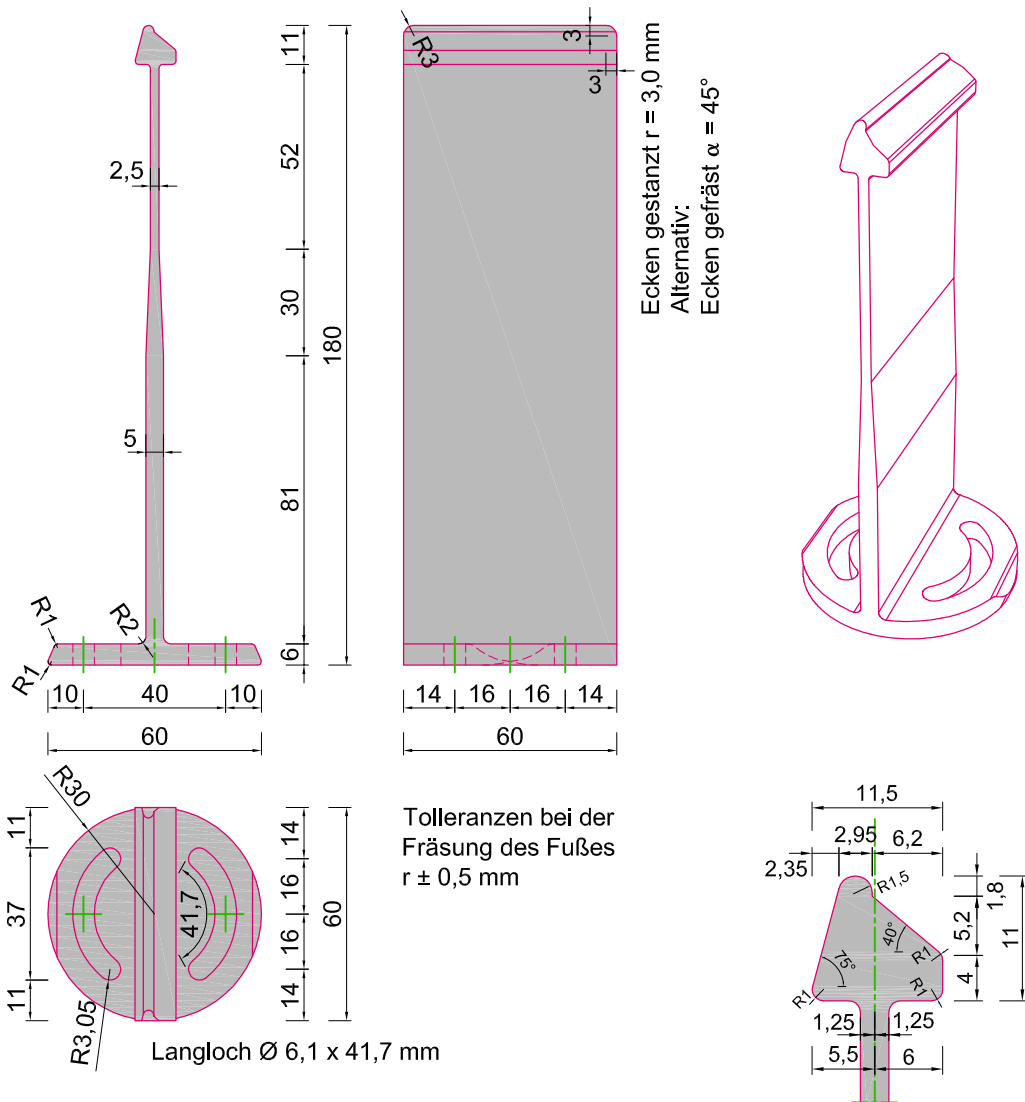
Halter Height	160 mm
Halter Length	60 mm
Materials	Aluminium
Material thickness	2,5 – 6,0 mm
Material Characteristic	ENAW 6060 T66
Coatings	No Coating
Surface	Natural

Title
BEMO Rotation Halter
 Aluminium

This drawing is exclusively our property. It may not be copied or given to third parties without our prior consent. All rights, including rights created by patent grant or registration of a utility model or design, are reserved.

Type
HA-160/60-R

Data Sheet Number
3535



Product information HA-180/60-R Sliding Point

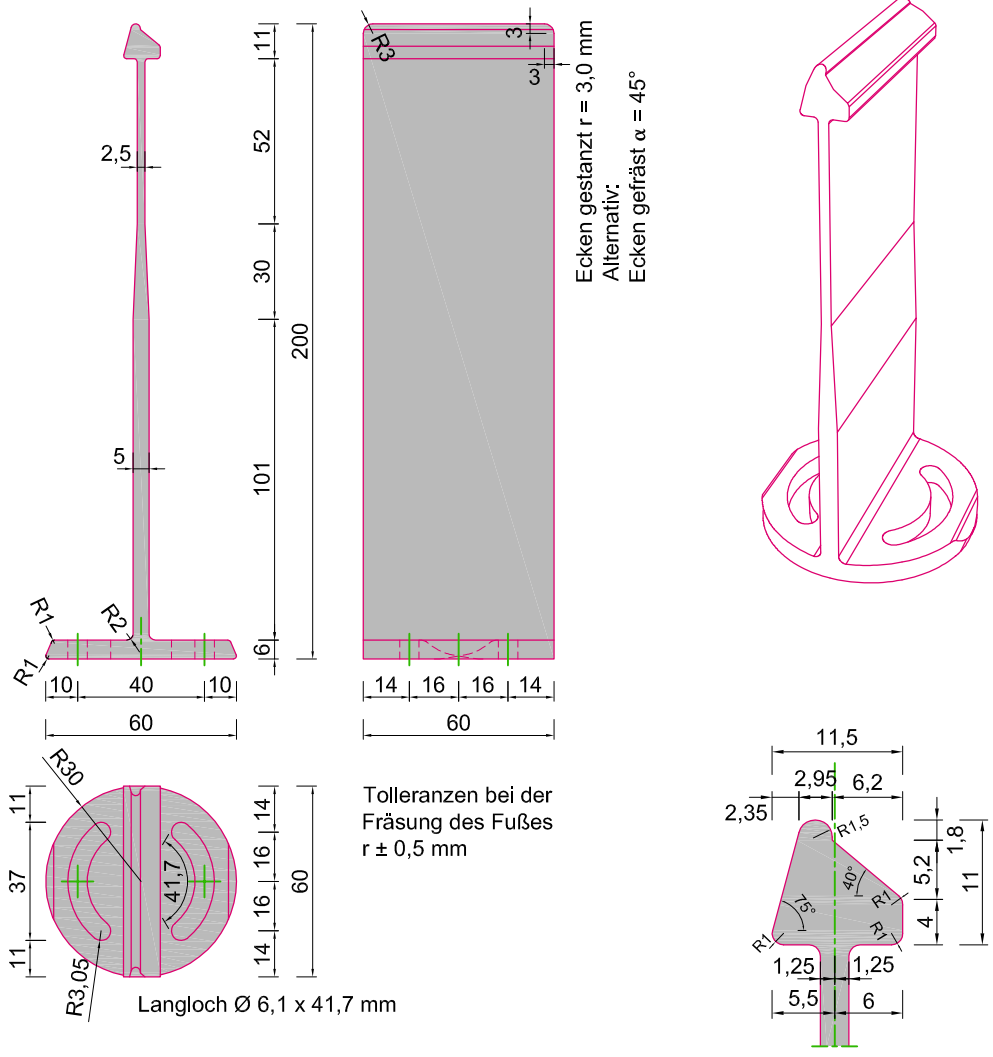
Halter Height	180 mm
Halter Length	60 mm
Materials	Aluminium
Material thickness	2,5 – 6,0 mm
Material Characteristic	ENAW 6060 T66
Coatings	No Coating
Surface	Natural

Title
BEMO Rotation Halter
 Aluminium

This drawing is exclusively our property. It may not be copied or given to third parties without our prior consent. All rights, including rights created by patent grant or registration of a utility model or design, are reserved.

Type
HA-180/60-R

Data Sheet Number
3536



Product information HA-200/60-R Sliding Point

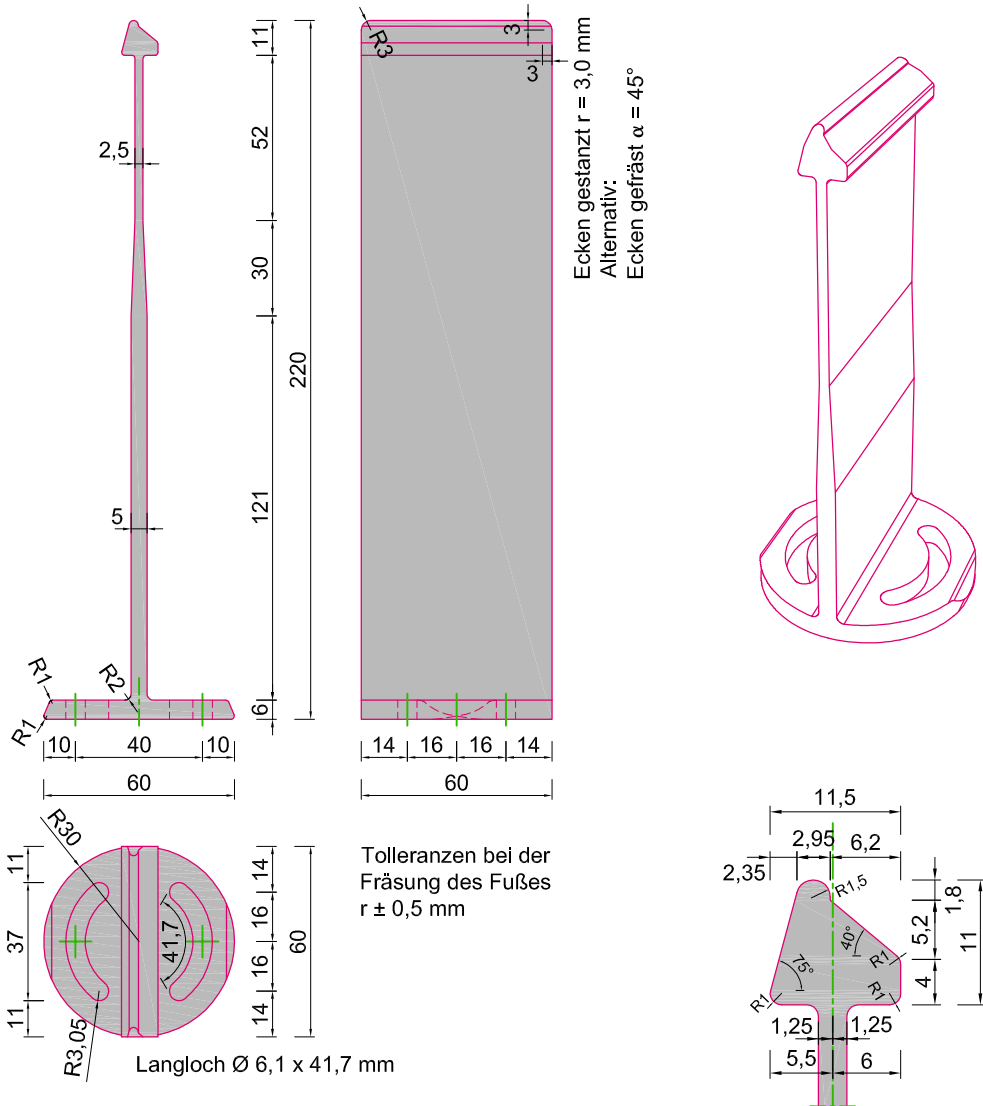
Halter Height	200 mm
Halter Lenght	60 mm
Materials	Aluminium
Material thickness	2,5 – 6,0 mm
Material Characteristic	ENAW 6060 T66
Coatings	No Coating
Surface	Natural

Title
BEMO Rotation Halter
 Aluminium

This drawing is exclusively our property. It may not be copied or given to third parties without our prior consent. All rights, including rights created by patent grant or registration of a utility model or design, are reserved.

Type
HA-200/60-R

Data Sheet Number
3537



Product information HA-220/60-R Sliding Point

Halter Height	220 mm
Halter Length	60 mm
Materials	Aluminium
Material thickness	2,5 – 6,0 mm
Material Characteristic	ENAW 6060 T66
Coatings	No Coating
Surface	Natural

1/2019

Title
BEMO Rotation Halter
 Aluminium

This drawing is exclusively our property. It may not be copied or given to third parties without our prior consent. All rights, including rights created by patent grant or registration of a utility model or design, are reserved.

Type
HA-220/60-R

Data Sheet Number
3538